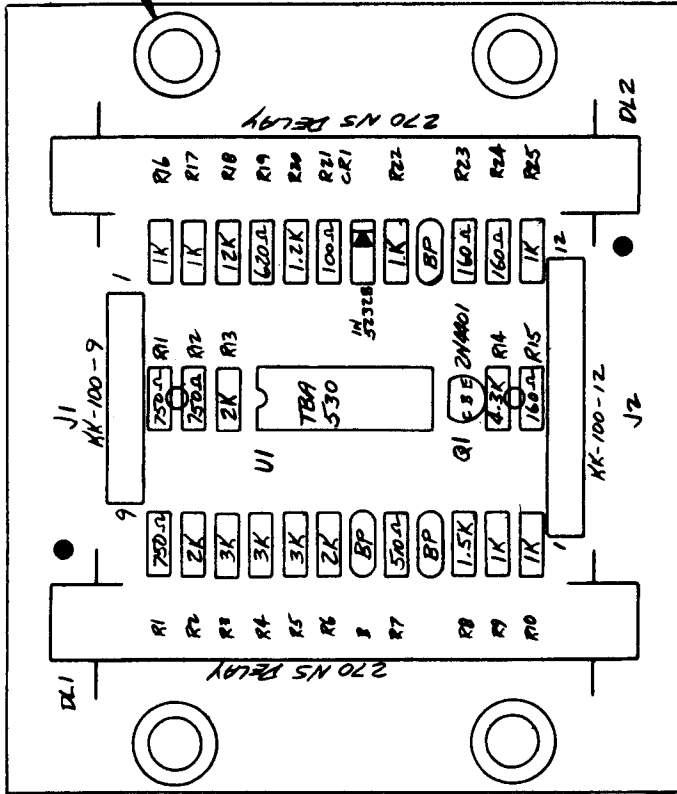


PART NO. _____

PART NO. _____



REV. FOR PROD. 1/6/64

REVISIONS

MIDWAY MFG. CO.
FRANKLIN PARK, ILL. 60131

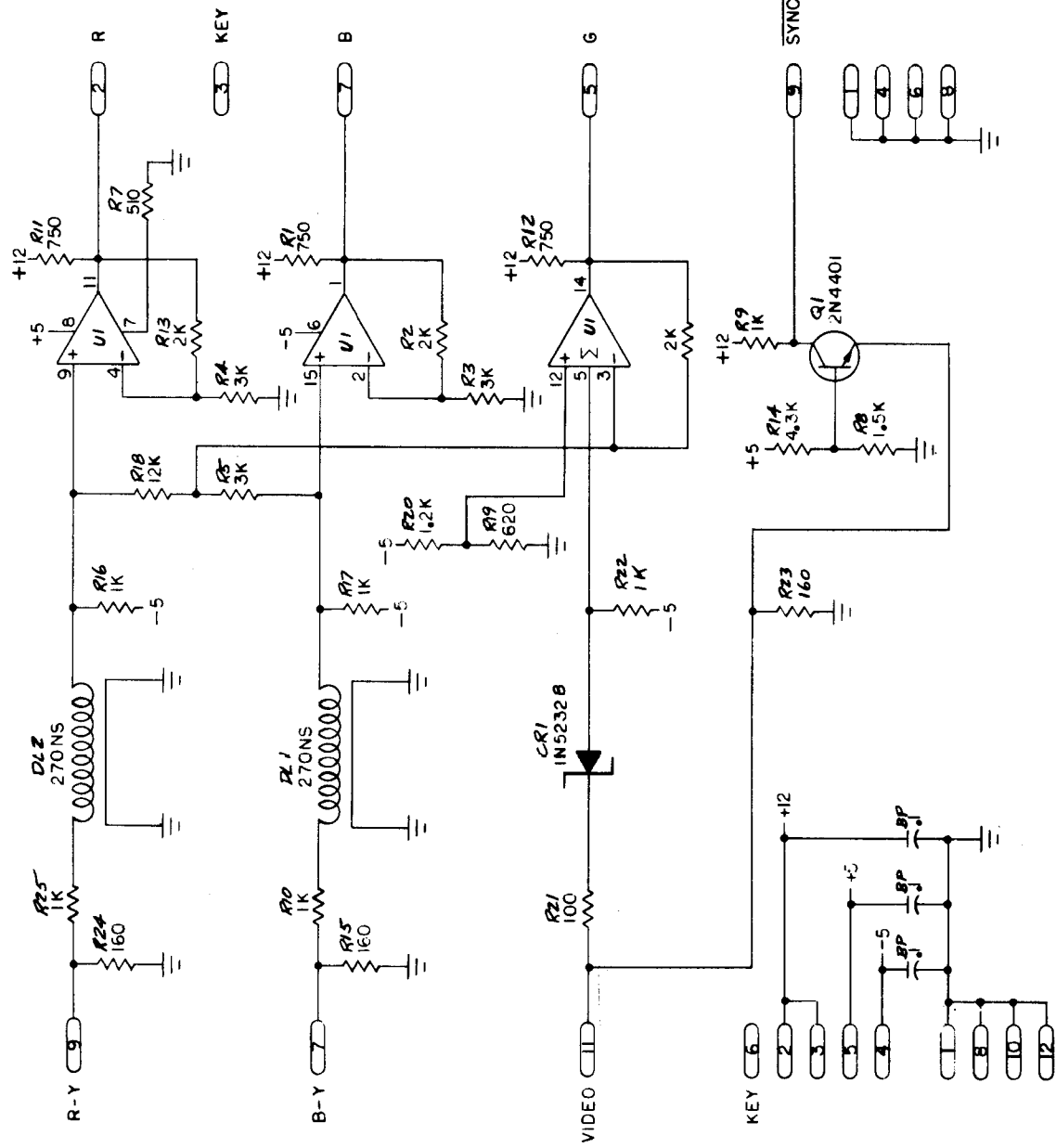
PART NO. A082-91363-0000

M051-00873-A029

NO. NOT SCALE SWP.	NO. RECD	DATE
USED ON	SCALE	UNIT
	TREAT TREAT	PRINT
DIM. TOLERANCES FRACTIONAL 1/16 DECIMAL .005 HOLE DIA. .001	DATE	

RGB INTERFACE
COMM. CARD RACK

TBA-530



M051-00873-A030

SCALE	DATE	DRAWN BY	TITLE
NONE	8-29-60	OTTO	MIDWAY MFG. C.O.
MATERIAL			RGB INTERFACE
			FOR CCRS
			NO A082-91363-A000
REVISIONS 1 2 3 4 5 6 7 8 9 10 11 12			