

8-19-81

ARCADIAN 3.11
BOB FABRIS
3626 MORRIS Dr.
SAN JOSE, CA. 95127

Hi Bob

I received your LAST issue (Vol 3. No 10) rather chewed up & scotch Taped with the words stamped on it, DAMAGED BY CANCELLING MACHINE.

PLEASE send me another copy to replace it since I keep a file of all the issues.

ENCLOSED is a payment for postage & handling ALSO I WANT to THANK you for the help in getting my full-sized keyboard operational. Thank Mr. RATHNell (sic?) for his patience in really helping me. (in operation for over 1 month)

I ENCLOSED a LITTLE more Detailed Diagram of the Keyboard Circuitry since you mentioned you couldn't get yours working either. Pay ATTENTION to the Programmed UART Format Pins (34-38) ALSO the serial output line. Mine had to ^{BE} reduced from 2.2K to 1.2-1.5K resistance to work.

ALL FUNCTIONS work properly (Bally Basic functions) except four. THESE are HALT, PAUSE, GO+10 and ERASE. This LAST ONE is important for erasing (Back Space) mistakes without rewriting the instruction line all over again, ESPECIALLY LONG ONES.

The Diode Circuitry Add on will give you ERASE using Two KEYS AT ONCE method. (Like the record feature on a cassette to prevent accidental Erasure) They may be a automatic way of doing this, BUT SINCE I was ANXIOUS to use the keyboard, I USED shortcuts.

The AUTO-RESET circuit (or manual) ELIMINATES a ? mark on FIRST entry ALTHO^(SIC) other steps can be used to correct this problem (ERASE) This happens ONLY on 1ST ENTRY, after THAT you ARE on your way. (ON power-up-TURN ON 5V supply)

I DERIVED Power & CASSETTE interface thru a Hand-controller cable without any ADVERSE EFFECTS. ALL the circuitry (POTS, UART Q-Q Converter, switches, etc.) ARE ENCLOSED in the keyboard cabinet. The cable plugs in at the rear. IF you have any COMMENTS about this project CONTACT ME after 8:00 PM or write.

PH: (415) 826-0718

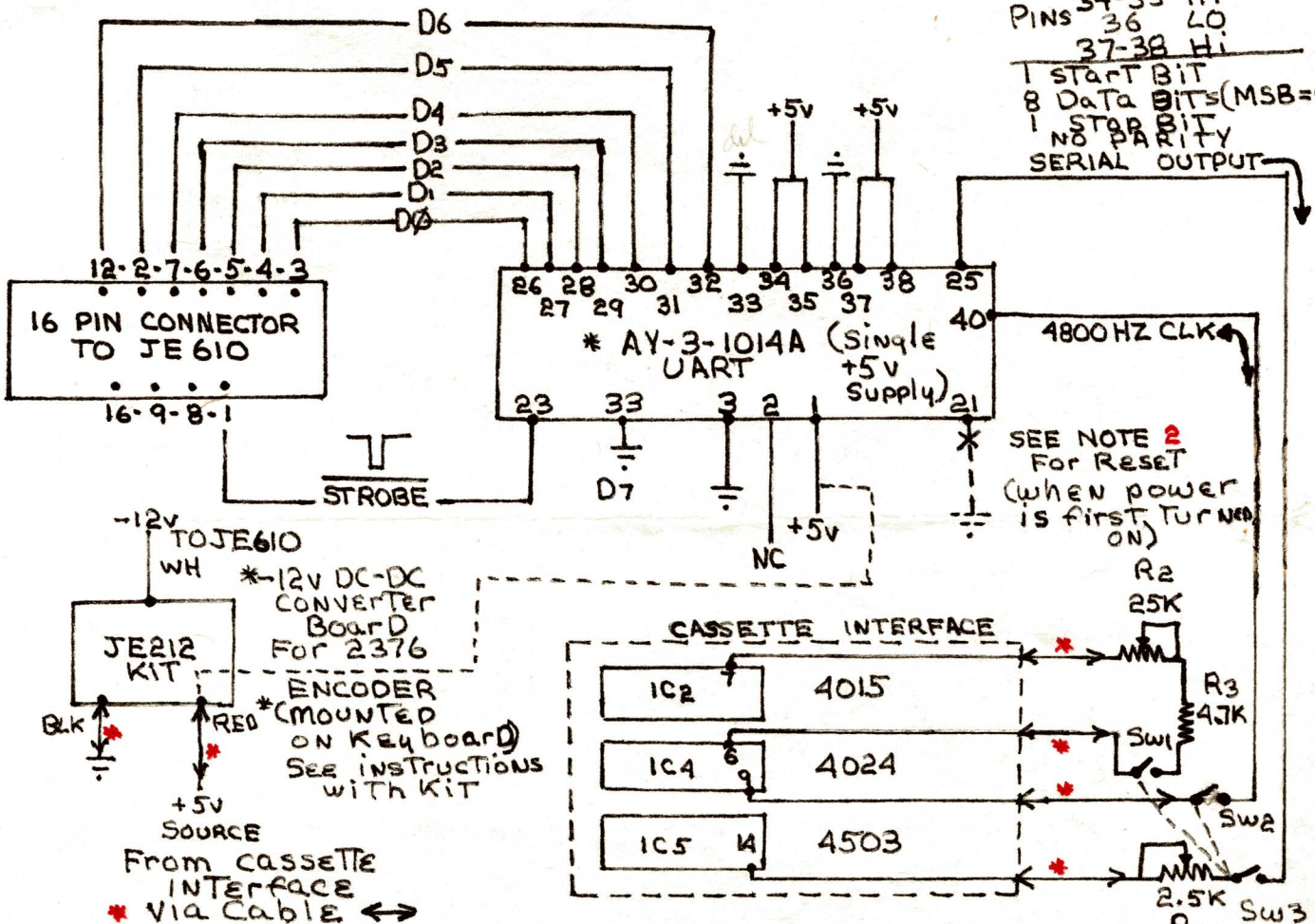
P.S. Excuse the mistakes

Roy Dal Poquette
57 JERSEY ST.
SAN FRANCISCO, CA
94114

ASCII Key Board ADDON

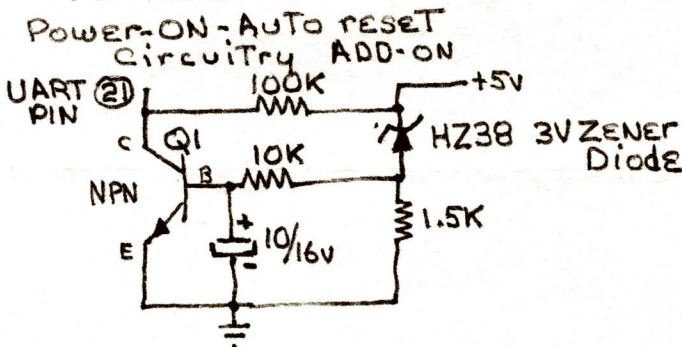
To be used with cassette interface
USE INPUT COMMAND ON Key pad

Bally
UART Format
PINS 34-35 Hi
36 LO
37-38 Hi
1 START BIT
8 DATA BITS (MSB=0)
1 NO STOP BIT
NO PARITY
SERIAL OUTPUT



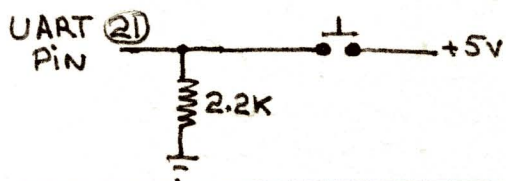
NOTE: 2

For RESET



Q1 = 2SC2021 or EQUIV.

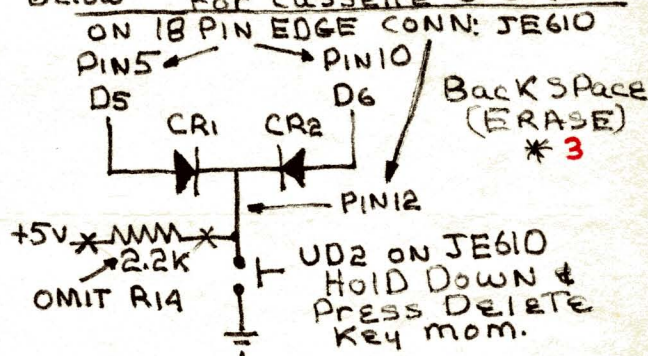
MANUAL RESET



NOTE: 1 Sw2 (4800Hz CLK)

CAN BE OMITTED
A DPDT SWITCH CAN BE USED
ALL RESISTORS 1/4W

See Note 1 Sw1-2-3 3PDT Switch Below For cassette OPERATION



CR1-CR2 - IN4148 or EQUIV. OBSERVE Polarity

ADJUST R1 (2.5K POT) FOR OUTPUT DATA (1.5K NOM.)
ADJUST R2 (25K POT) FOR (15K NO ??? ON OUTPUT DATA NOM.)
READJUST SLIGHTLY FOR ERROR-FREE OPERATION (???)

* USE DELETE & UD2 TOGETHER FOR ERASE FUNCTION
3 INTERCHANGE KEY CAPS IF NECESSARY (DELETE+BACKSP)

*only necessary -
quad 21 to reset*