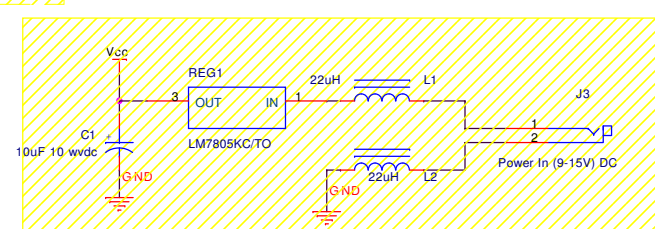
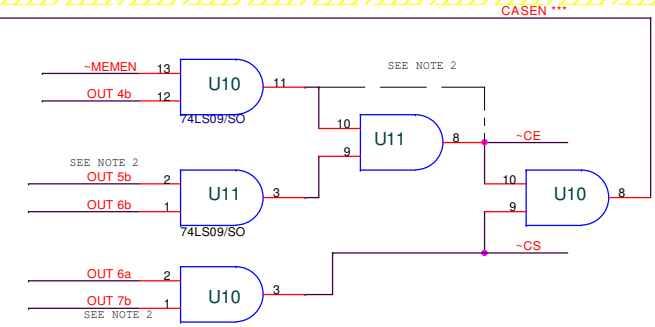
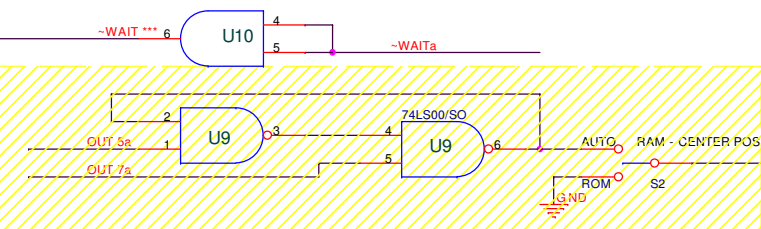
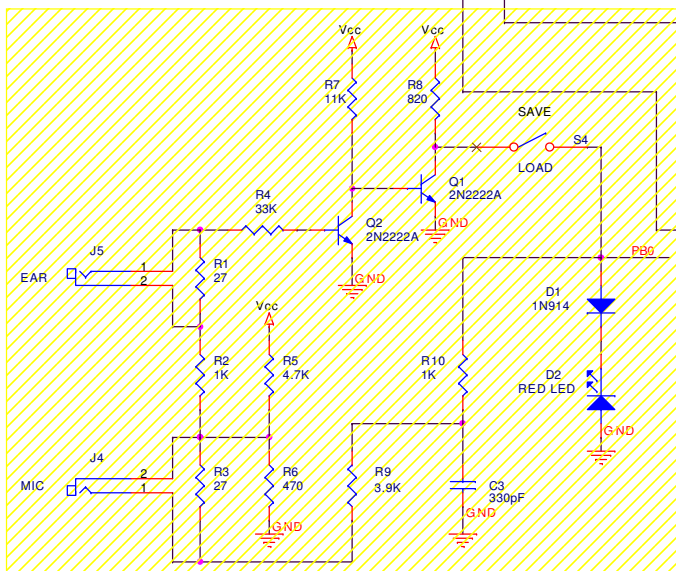


- NOTES**
- 1) Area shaded in yellow on original top board.
  - 2) For 16K:OUT 5b is connected to U10 pin 1. U10 pin 11 gets tied to U10 pin 10. U11 is gone. Address A14 does not go to memory chip(s).
  - 3) \*\*\* Connections to CASEN and -WAIT must be open collector



|                    |                          |              |
|--------------------|--------------------------|--------------|
| Title              |                          |              |
| Blue Ram 32K Ad-On |                          |              |
| Size               | Document Number          | Rev          |
| B                  | KJSHBRB 1.2              | 1.0          |
| Date:              | Sunday, October 15, 2006 | Sheet 1 of 1 |